

CIRCULAR PERMANENT MAGNETIC CHUCK



SPA 244.01

with fine parallel pole divisions P=1.9 mm

Application:

For holding small and thin up to medium sized components.

Features:

Powerful magnetic system with Neodymium magnets and a low magnetic field.

Holding force is continuously variable.

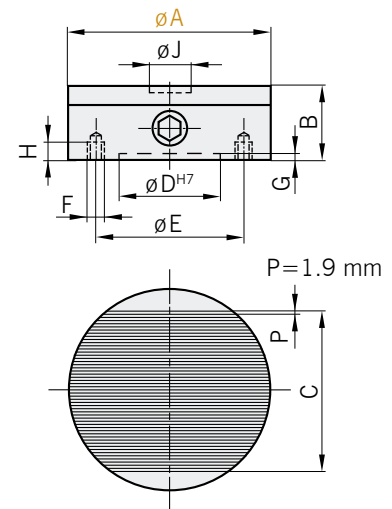
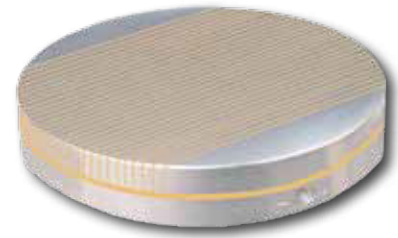
Supplied with flange on request (see SPA 248.90 till 248.94).

Nominal holding force: 100 N/cm² (A=100: 70 N/cm²)

Magnetic field height: 8 mm

Usable top plate life: 5 mm

Dimensions in mm										Weight in kg
A	B ₁	C	D	E	F	G	H	J		
100	50	77	60	85	4 x M8	4	10	20x14	3.0	
130	50	103	90	115	4 x M8	4	10	20x14	5.0	
150	50	117	110	132	4 x M8	4	10	24x5	7.0	
160	57	116	125	142	4 x M8	4	16	24x5	9.0	
200	57	154	150	180	4 x M8	4	16	200x5	15.0	
250	57	192	200	232	4 x M8	4	16	250x5	20.0	
300	62	227	250	285	4 x M8	4	16	300x5	31.0	
350	62	293	300	334	4 x M8	5	22	350x5	43.8	
400	67	324	300	350	6 x M10	5	22	400x5	62.7	
450	67	372	350	400	6 x M10	5	22	450x5	79.4	
500	67	422	400	450	6 x M10	5	22	500x5	98.1	



Ordering example:

Circular Permanent Magnetic Chuck SPA 244.01 - 150

Ordering key

CIRCULAR PERMANENT MAGNETIC CHUCK



SPA 244.11

with close parallel pole divisions, powerful magnetic system P=11 and 15 mm

Application:

For holding small up to large components for grinding and milling operations.

Features:

Powerful magnetic system with Neodymium magnets and a low magnetic field.

All sizes come with a single actuating spindle. Holding force is continuously variable.

Possibility to machine a pilot hole "H".

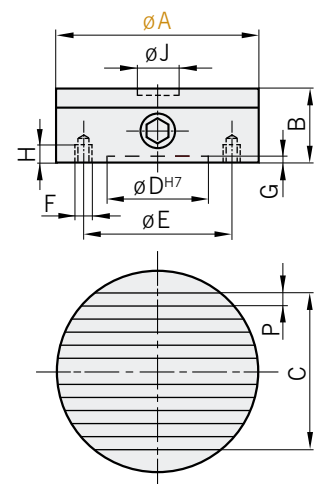
Supplied with flange on request (see SPA 248.90 till 248.94).

Nominal holding force: 150 N/cm² (A=160: 120 N/cm²)

Magnetic field height: 10 mm

Usable top plate life: 6 mm

Dimensions in mm										Weight in kg
A	B ₁	C	D	E	F	G	H	J	P	
160	57	102	125	142	4 x M8	4	12	D15x6	8+3	8.0
200	57	146	150	180	4 x M8	4	12	D20x6	8+3	13.0
250	57	198	200	232	4 x M8	4	12	D25x20	12+3	20.0
300	62	228	250	285	4 x M8	4	12	D25x20	12+3	31.0
350	62	288	300	334	4 x M8	5	12	D25x20	12+3	43.0
400	67	318	300	350	6 x M10	5	20	D25x20	12+3	60.0
450	67	378	350	400	6 x M10	5	20	D25x20	12+3	76.0
500	67	408	400	450	6 x M10	5	20	D25x20	12+3	93.0



Ordering example::

Circular Permanent Magnetic Chuck SPA 244.11 - 250

Ordering key